



Katalog części zamiennych  
Spare parts list  
Ersatzteile katalog

---

**KUN 3.0 / 4.0H / 5.0H / 6.0H**



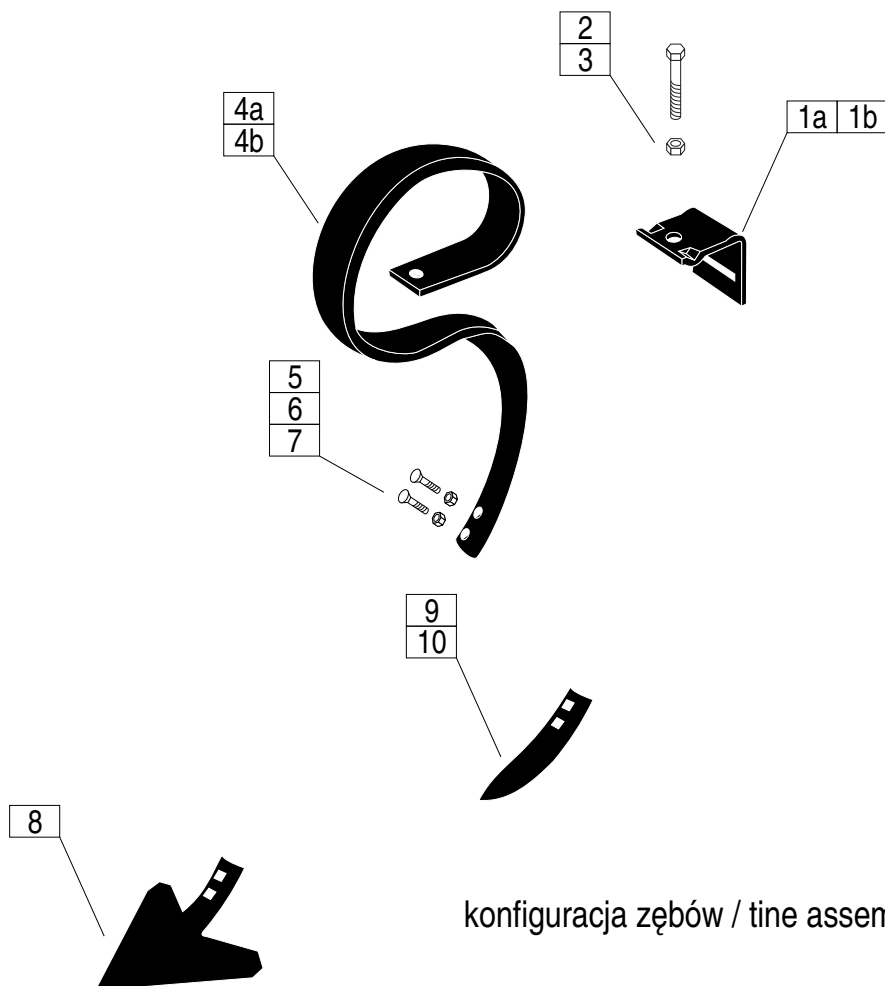
**kultywator uniwersalny KUN**  
**universal cultivator KUN**  
**grossfederzinkenegge KUN**

---

PPH MANDAM Sp Z O.O.  
44-100 Gliwice ul. Toruńska 2  
www.mandam.com.pl e-mail: mandam@mandam.com.pl  
tel 0048 32 232 26 60 fax 0048 32 232 58 85

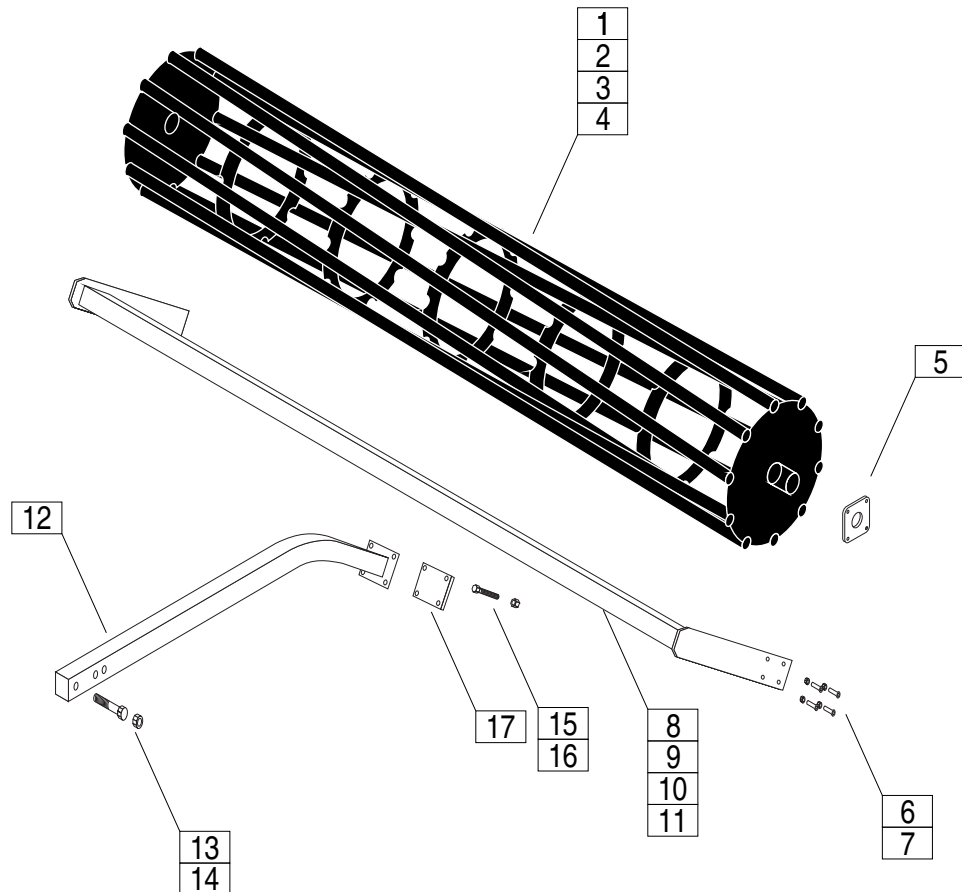
---

v. 12.2012

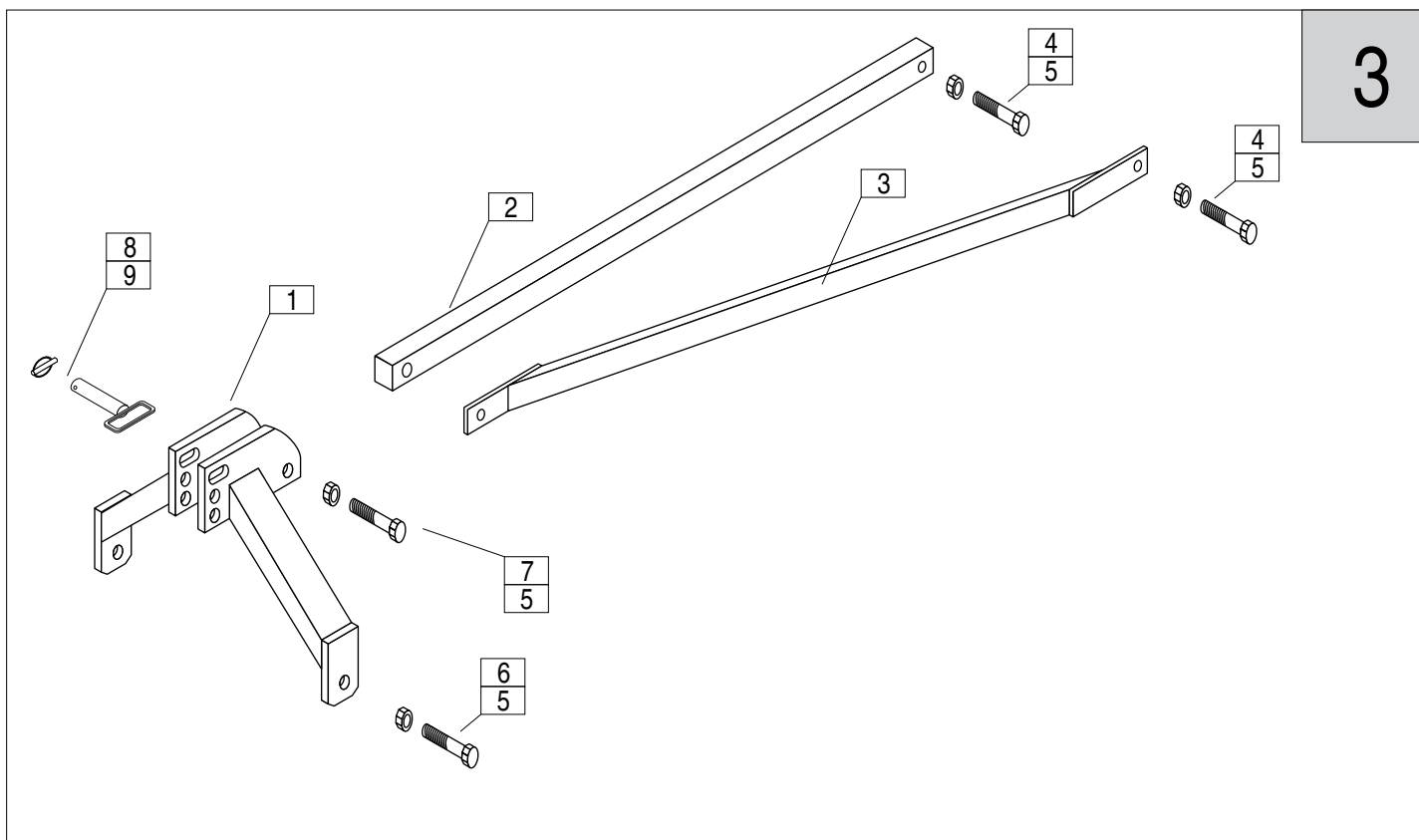


konfiguracja zębów / tine assembly / federzinken :  
 45x12 standard  
 60x12 opcja/option/opzion

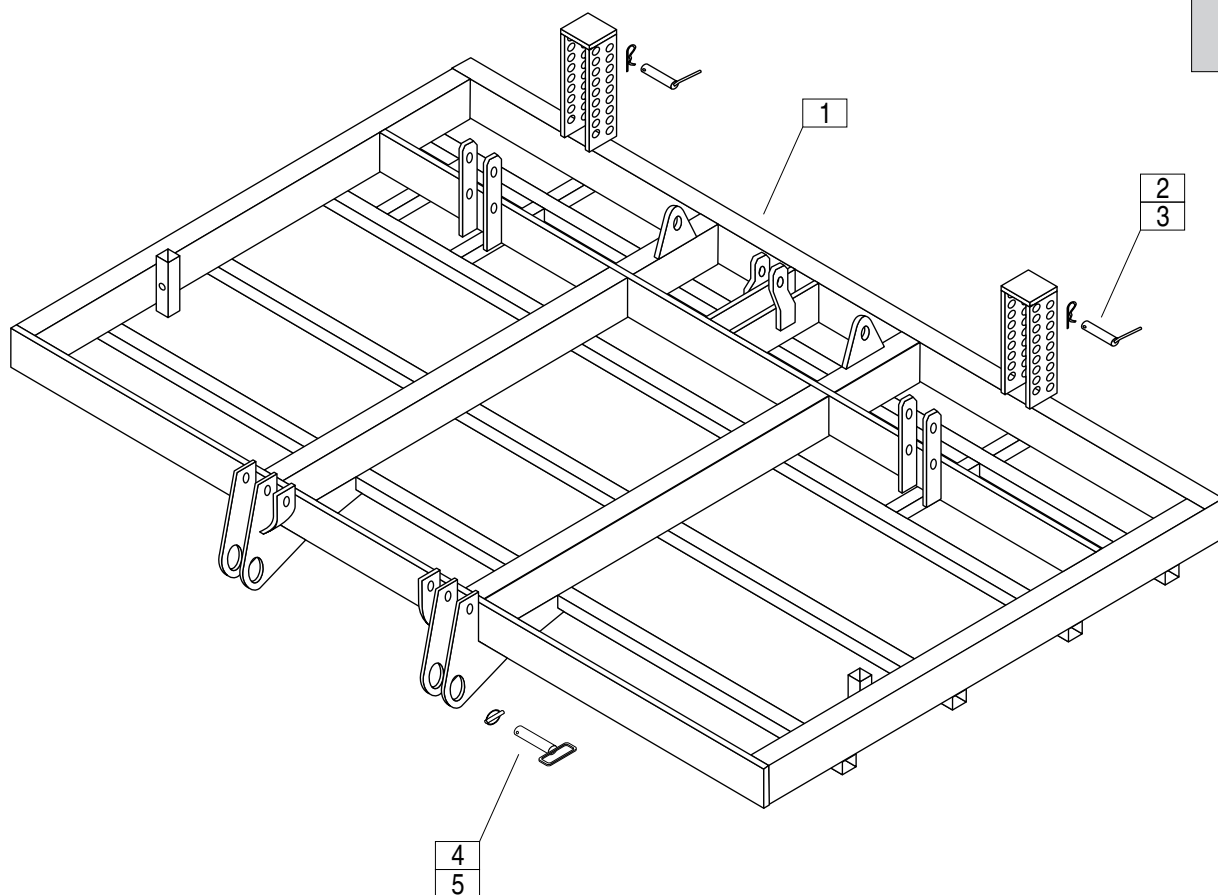
| typ / type KUN 3.0 / 4.0H / 5.0H / 6.0H |                              |                |               |              | schemat / scheme / zeichnung |      |      |      | 1 |
|---|------------------------------|----------------|---------------|--------------|------------------------------|------|------|------|---|
| #                                       | index                        | część          | part          | teil         | szt / qty / menge            |      |      |      |   |
|   |                              |                |               |              | 3.0                          | 4.0H | 5.0H | 6.0H |   |
| 1a                                      | 05-02-0021                   | uchwyt 45x12   | bracket 45x12 | halter 45x12 | 21                           | 25   | 33   | 37   |   |
| 1b                                      | 05-02-0241                   | uchwyt 60x12   | bracket 60x12 | halter 60x12 | 21                           | 25   | 33   | 37   |   |
| 2                                       | 07-02-0087                   | śruba          | bolt          | schraube     | 21                           | 25   | 33   | 37   |   |
| 3                                       | 07-07-0005                   | nakrętka       | nut           | mutter       | 21                           | 25   | 33   | 37   |   |
| 4a                                      | 05-05-0002                   | ząb 45x12      | tine 45x12    | zinke 45x12  | 21                           | 25   | 33   | 37   |   |
| 4b                                      | 05-02-0240                   | ząb 60x12      | tine 60x12    | zinke 60x12  | 21                           | 25   | 33   | 37   |   |
| 5                                       | 07-02-0056                   | śruba          | bolt          | schraube     | 42                           | 50   | 66   | 74   |   |
| 6                                       | 03-03-0325                   | nakrętka       | nut           | mutter       | 42                           | 50   | 66   | 74   |   |
| 7                                       | 07-02-0011                   | podkładka      | washer        | pad          | 42                           | 50   | 66   | 74   |   |
| 8                                       | dla/for/für 60x12 05-02-0242 | gęsiostopa 200 | duckfoot 200  | ....         | 21                           | 25   | 33   | 37   |   |
| 9                                       | 05-02-0023                   | redlica 45x12  | point 45x12   | spitze 45x12 | 21                           | 25   | 33   | 37   |   |
| 10                                      | 05-02-0243                   | redlica 60x12  | point 60x12   | spitze 60x12 | 21                           | 25   | 33   | 37   |   |



| typ / type KUN 3.0 / 4.0H / 5.0H / 6.0H |            |                |                    |                | schemat / scheme / zeichnung |      |      |      | 2 |
|---|------------|----------------|--------------------|----------------|------------------------------|------|------|------|---|
| #                                       | index      | część          | part               | teil           | szt / qty / menge            |      |      |      |   |
|   |            |                |                    |                | 3.0                          | 4.0H | 5.0H | 6.0H |   |
| 1                                       | 01-50-0027 | wał rurowy 3,0 | tubular roller 3,0 | rohr walze 3,0 | 1                            | -    | 1    | 1    |   |
| 2                                       | 01-50-0011 | wał rurowy 0,9 | tubular roller 0,9 | rohr walze 0,9 | -                            | 2    | 2    | -    |   |
| 3                                       | 01-50-0070 | wał rurowy 2,2 | tubular roller 2,2 | rohr walze 2,2 | -                            | 1    | -    | -    |   |
| 4                                       | 01-50-0103 | wał rurowy 1,4 | tubular roller 1,4 | rohr walze 1,4 | -                            | -    | -    | 2    |   |
| 5                                       | 07-17-0001 | łożysko        | bearing            | lager          | 2                            | 6    | 6    | 8    |   |
| 6                                       | 06-05-0001 | śruba          | bolt               | schraube       | 8                            | 24   | 24   | 32   |   |
| 7                                       | 07-07-0005 | nakrętka       | nut                | mutter         | 8                            | 24   | 24   | 32   |   |
| 8                                       | 01-50-0023 | obejma 3,0     | frame 3,0          | rahme 3,0      | 1                            | -    | 1    | 1    |   |
| 9                                       | 01-50-0010 | obejma 0,9     | frame 0,9          | rahme 0,9      | -                            | 2    | 2    | -    |   |
| 10                                      | 01-50-0074 | obejma 2,2     | frame 2,2          | rahme 2,2      | -                            | 1    | -    | -    |   |
| 11                                      | 01-50-0104 | obejma 1,4     | frame 1,4          | rahme 1,4      | -                            | -    | -    | 2    |   |
| 12                                      | 05-02-0247 | ramię          | arm                | arhme          | 2                            | 4    | 4    | 6    |   |
| 13                                      | 07-07-0006 | śruba          | bolt               | schraube       | 2                            | 4    | 4    | 6    |   |
| 14                                      | 07-07-0002 | nakrętka       | nut                | mutter         | 2                            | 4    | 4    | 6    |   |
| 15                                      | 07-04-0004 | śruba          | screw              | schraube       | 8                            | 16   | 16   | 24   |   |
| 16                                      | 07-07-0003 | nakrętka       | nut                | mutter         | 8                            | 16   | 16   | 24   |   |
| 17                                      | 01-50-0074 | plytka         | plate              | plate          | 2                            | 4    | 4    | 4    |   |



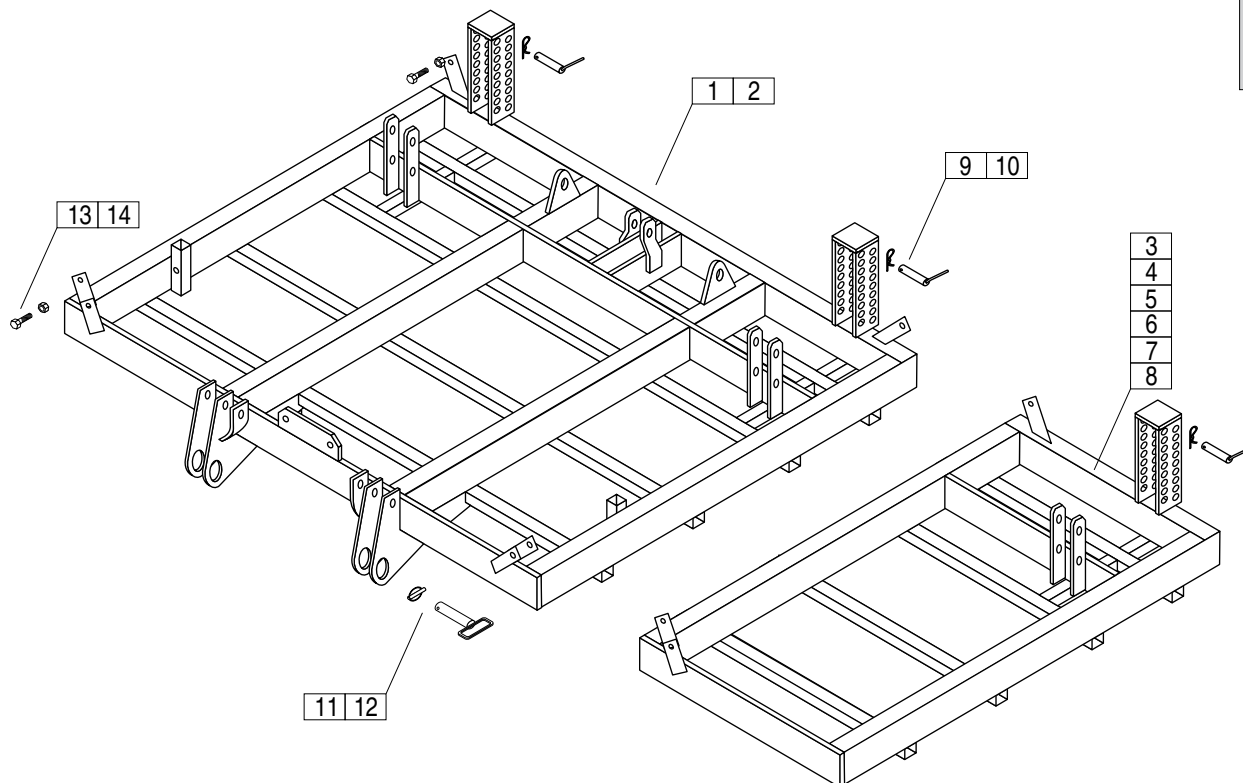
| typ / type KUN 3.0 / 4.0 H / 5.0 H / 6.0 H |            |                 |              |               | schemat / scheme / zeichnung | 3 |
|--|------------|-----------------|--------------|---------------|------------------------------|---|
| #  | index      | część           | part         | part          | szt / qty / menge            |   |
|  |            |                 |              |               | wszystkie / all / alle       |   |
| 1  | 01-12-2107 | dyszel          | hitch        | deichsel      | 1                            |   |
| 2  | 15-01-0075 | wspornik środk. | middle strut | mittel leiste | 1                            |   |
| 3  | 15-01-0031 | wspornik boczny | side strut   | seite leiste  | 2                            |   |
| 4  | 07-02-0020 | śruba           | screw        | schraube      | 3                            |   |
| 5  | 07-07-0002 | nakrętka        | nut          | mutter        | 6                            |   |
| 6  | 07-02-0012 | śruba           | screw        | schraube      | 2                            |   |
| 7  | 07-02-0017 | śruba           | screw        | schraube      | 1                            |   |
| 8  | 08-02-0004 | sworzeń         | bolt         | boltze        | 1                            |   |
| 9  | 10-05-0025 | zawleczka       | cotter       | keil          | 1                            |   |



typ / type KUN 3.0

schemat / scheme / zeichnung

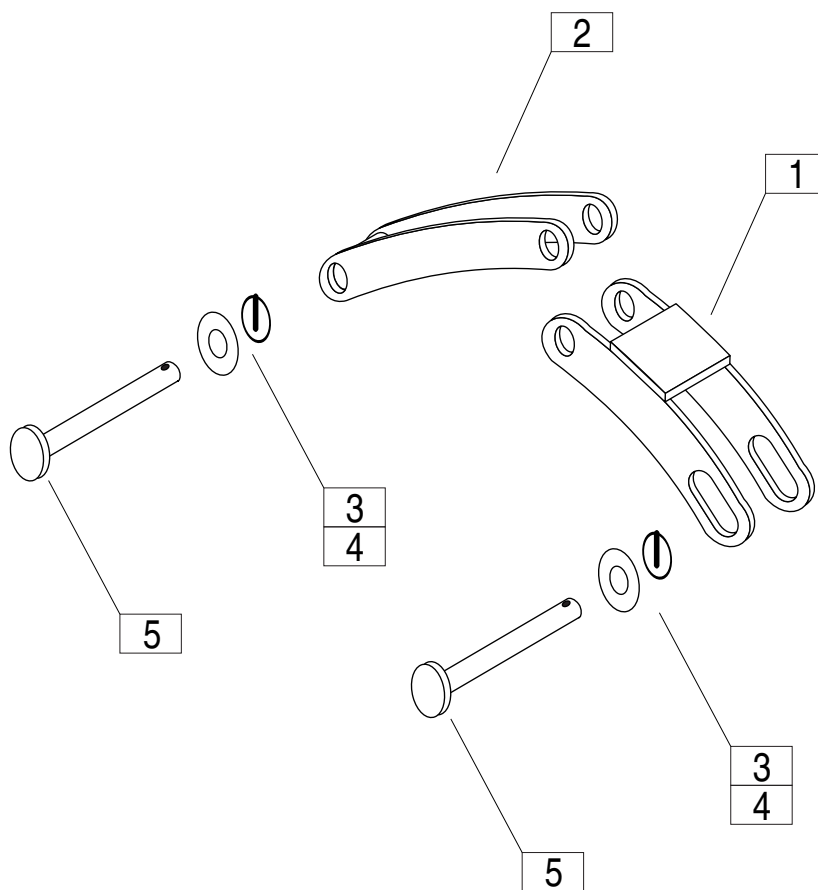
| # | index      | część      | part      | part      | szt / qty / menge |  |
|---|------------|------------|-----------|-----------|-------------------|--|
|   |            |            |           |           | KUN 3.0           |  |
| 1 | 15-01-0042 | rama 3,0   | frame 3,0 | rahme 3,0 | 1                 |  |
| 2 | 08-02-0009 | sworzeń    | bolt      | bolzen    | 4                 |  |
| 3 | 07-15-0015 | zawlecza B | cotter B  | keil B    | 4                 |  |
| 4 | 08-02-0007 | sworzeń    | bolt      | bolzen    | 2                 |  |
| 5 | 05-02-0005 | zawlecza   | cotter    | cotter    | 2                 |  |



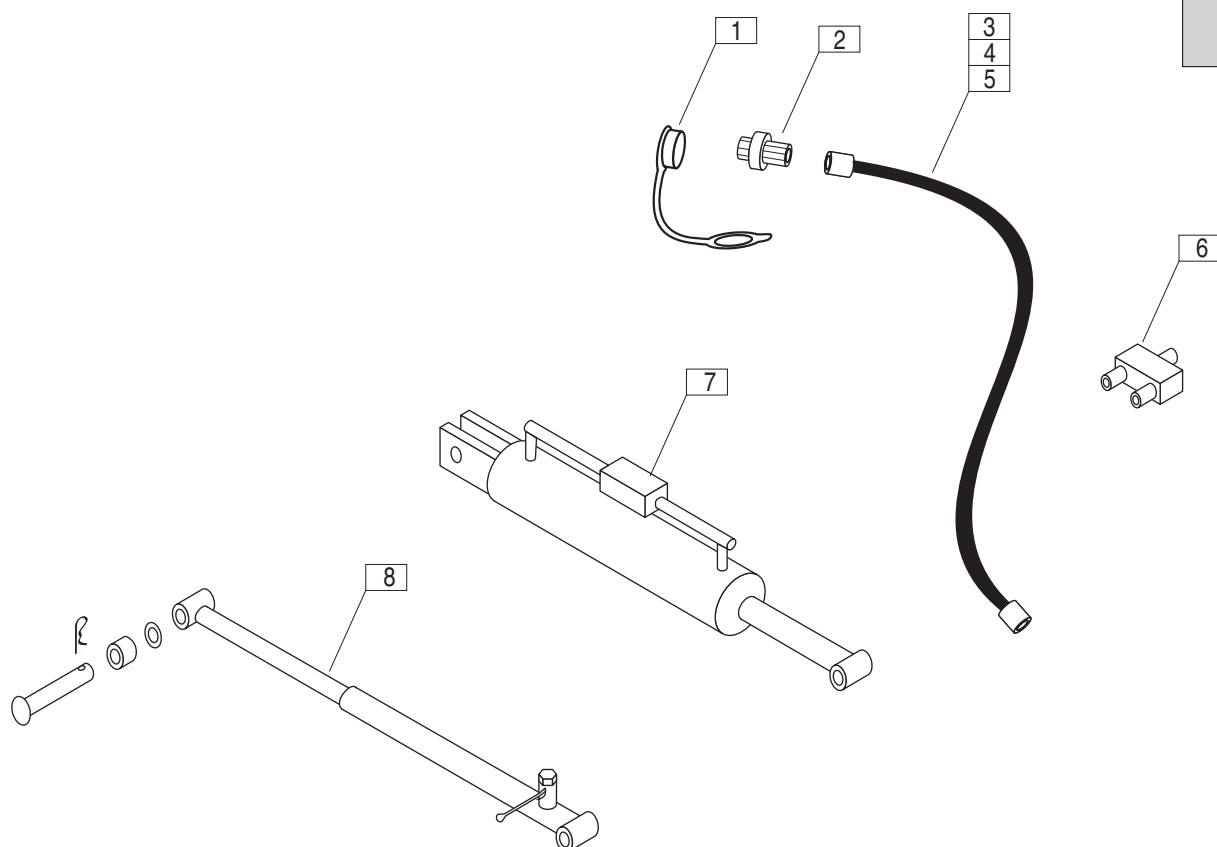
typ / type KUN 4.0H / 5.0H / 6.0H

schemat / scheme / zeichnung

| #  | index      | część       | part         | teil         | szt / qty / menge |      |      |
|----|------------|-------------|--------------|--------------|-------------------|------|------|
|    |            |             |              |              | 4.0H              | 5.0H | 6.0H |
| 1  | 15-01-0425 | rama główna | middle frame | mittel rahme | 1                 | -    | -    |
| 2  | 15-01-0426 | rama główna | middle frame | mittel rahme | -                 | 1    | 1    |
| 3  | 15-01-0033 | rama lewa   | left frame   | links rahme  | 1                 | -    | -    |
| 4  | 15-01-0034 | rama prawa  | right frame  | rechts rahme | 1                 | -    | -    |
| 5  | 15-01-0040 | rama lewa   | left frame   | links rahme  | -                 | 1    | -    |
| 6  | 15-01-0041 | rama prawa  | right frame  | rechts rahme | -                 | 1    | -    |
| 7  | 15-01-0037 | rama lewa   | left frame   | links rahme  | -                 | -    | 1    |
| 8  | 15-01-0038 | rama prawa  | right frame  | rechts rahme | -                 | -    | 1    |
| 9  | 07-15-0015 | zawlecza B  | cotter B     | keil B       | 8                 | 8    | 12   |
| 10 | 08-02-0009 | sworzeń     | bolt         | bolzen       | 8                 | 8    | 12   |
| 11 | 08-02-0007 | sworzeń     | bolt         | bolzen       | 2                 | 2    | 2    |
| 12 | 05-02-0005 | zawlecza    | cotter       | keil         | 2                 | 2    | 2    |



| typ / type KUN 4.0H / 5.0H / 6.0H |            |           |         |             | schemat / scheme / zeichnung |      |      |  | 6 |
|-----------------------------------|------------|-----------|---------|-------------|------------------------------|------|------|--|---|
| #                                 | index      | część     | part    | teil        | szt / qty / menge            |      |      |  |   |
|                                   |            |           |         |             | 4.0H                         | 5.0H | 6.0H |  |   |
| 1                                 | 15-01-0035 | zawias 1  | hinge 1 | scharnier 1 | 2                            | 2    | 2    |  |   |
| 2                                 | 15-01-0036 | zawias 2  | hinge 2 | scharnier 2 | 2                            | 2    | 2    |  |   |
| 3                                 | 07-15-0008 | zawleczka | cotter  | keil        | 4                            | 4    | 4    |  |   |
| 4                                 | 08-10-0009 | podkładka | washer  | pad         | 4                            | 4    | 4    |  |   |
| 5                                 | 08-02-0049 | sworzeń   | bolt    | bolze       | 4                            | 4    | 4    |  |   |

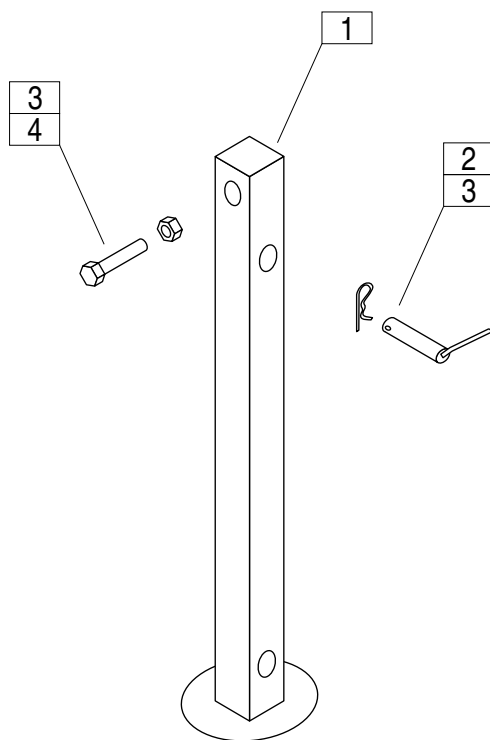


| typ / type KUN 4.0H / 5.0H / 6.0H |            |               |                 |                     | schemat / scheme / zeichnung |      |      |  |
|-----------------------------------|------------|---------------|-----------------|---------------------|------------------------------|------|------|--|
| #                                 | index      | część         | part            | teil                | szt /qty /menge              |      |      |  |
|                                   |            |               |                 |                     | 4.0H                         | 5.0H | 6.0H |  |
| 1                                 | 06-03-0002 | zatyczka      | cap             | kape                | 2                            | 2    | 2    |  |
| 2                                 | 06-03-0001 | złączka       | connector       | stecker             | 2                            | 2    | 2    |  |
| 3                                 | 06-02-0001 | wąż           | hose            | kabel               | 2                            | 2    | 2    |  |
| 4                                 | 06-02-0002 | wąż           | hose            | kabel               | 2                            | 2    | 2    |  |
| 5                                 | 06-02-0003 | wąż           | hose            | kabel               | 2                            | 2    | 2    |  |
| 6                                 | 06-01-0028 | trójnik       | Y connector     | Ystecker            | 2                            | 2    | 2    |  |
| 7                                 | 06-01-0009 | siłownik      | piston          | zylinder            | 2                            | 2    | 2    |  |
| 7                                 | x          | siłownik zaw. | piston w. valve | zylinder mit ventil | 2                            | 2    | 2    |  |
| 8                                 | 01-05-0593 | blokada       | lockout         | blokade             | 2                            | 2    | 2    |  |

hydraulika kompletna -zestaw / set of hydraulics complete / hydraulik komplet

|            |            |                   |                     |
|------------|------------|-------------------|---------------------|
| 06-02-0033 | bez zaworu | piston no valve   | zyl. ohne ventil    |
| 06-02-0015 | z zaworem  | piston with valve | zylinder mit ventil |





| typ / type KUN 3.0 / 4.0H / 5.0H / 6.0H |            |             |            |          | schemat / scheme / zeichnung |  | 8 |
|---|------------|-------------|------------|----------|------------------------------|--|---|
| #                                       | index      | część       | part       | teil     | szt / qty / menge            |  |   |
|   |            |             |            |          | wszystkie / all / alle       |  |   |
| 1                                       | 15-01-0032 | stopka      | suport leg | stutze   | 2                            |  |   |
| 2                                       | 08-02-0052 | sworzeń     | bolt       | bolze    | 2                            |  |   |
| 3                                       | 07-15-0007 | zawleczka B | cotter B   | keil B   | 2                            |  |   |
| 4                                       | 07-02-0144 | śruba       | screw      | schraube | 2                            |  |   |
| 5                                       | 07-07-0006 | nakrętka    | nut        | mutter   | 2                            |  |   |